

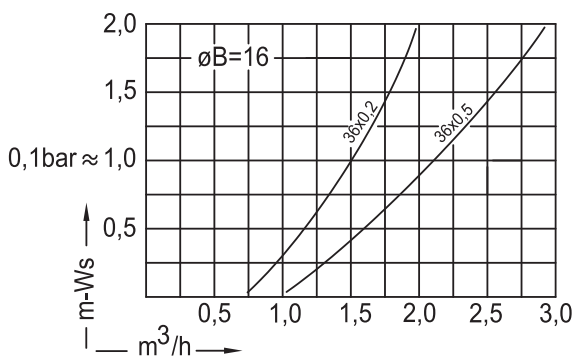
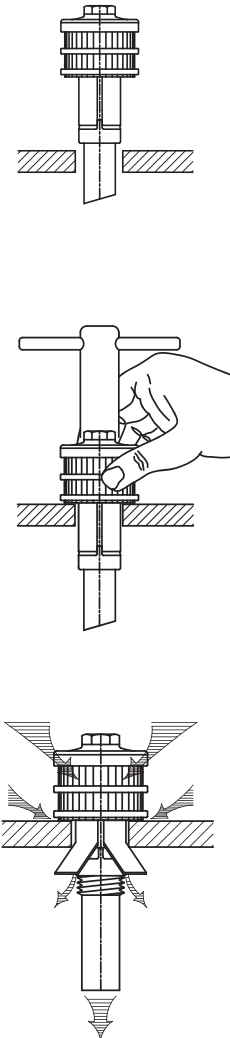
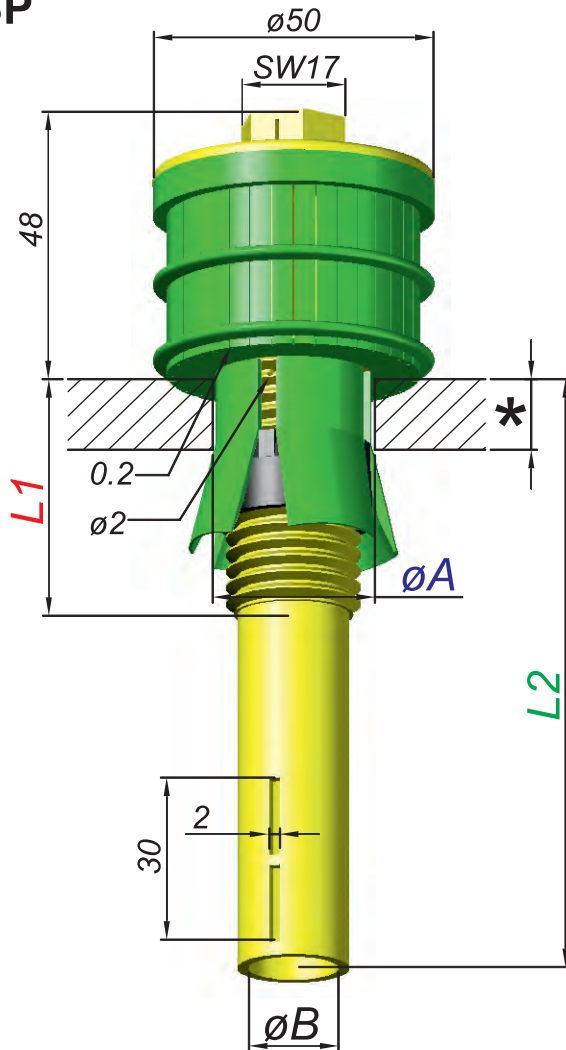
Filterdüsen

Filter-Nozzles

Crépines à filtre

Toberas filtrantes

Typ DSP



| Bestellung<br>Ordering<br>Commande<br>Encargo | Typ<br>Type<br>Type<br>Tipa | Schlitze<br>Slots<br>Fentes<br>Ranuras                                                                                                   | *      | L1 | Schaft<br>Shaft<br>Longueur de tige<br>Tija | L2 | øA                                                       | øB                       |
|-----------------------------------------------|-----------------------------|------------------------------------------------------------------------------------------------------------------------------------------|--------|----|---------------------------------------------|----|----------------------------------------------------------|--------------------------|
|                                               | <b>DSP</b>                  | 36 x 0,2 = 1,37 cm <sup>2</sup><br>36 x 0,3 = 2,05 cm <sup>2</sup><br>36 x 0,5 = 3,42 cm <sup>2</sup><br>36 x 1,0 = 6,84 cm <sup>2</sup> | 8 - 28 | 50 | 80, 110, 140, 200, 250                      |    | <b>28-29,5; 29,5-31,5; 31,5-33;<br/>33-34,5; 34,5-36</b> | 16 = 2,0 cm <sup>2</sup> |