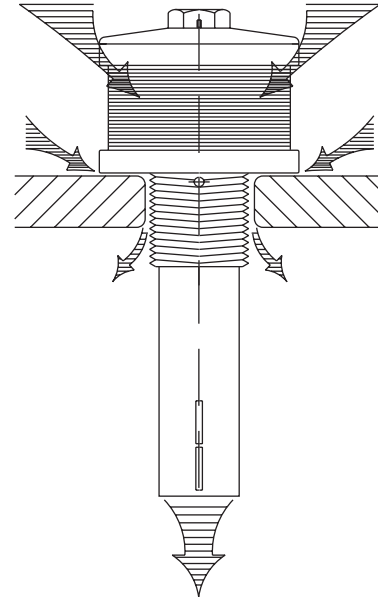
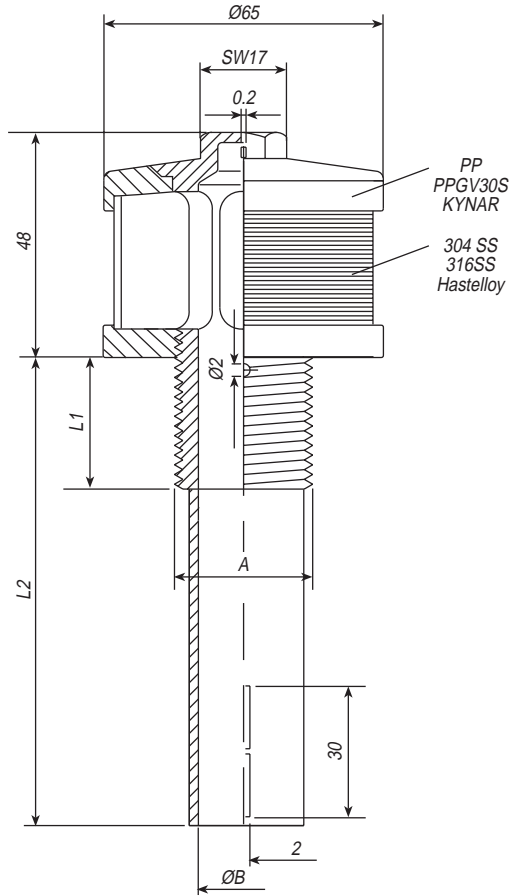
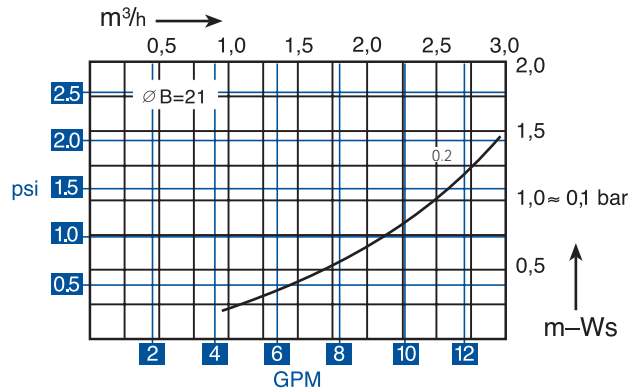
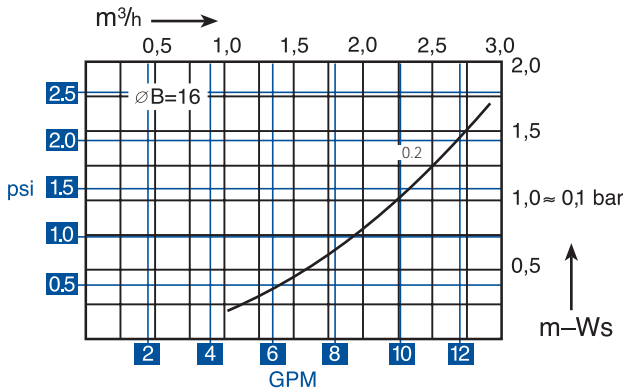


Filter Nozzles

Model VK



All dimensions in mm unless otherwise noted.



Model VK Ordering Information

Slots	Thread	$\varnothing A$	Thread Length — L1	Shaft — L2	$\varnothing B$
0.1	3/4" NPT				16 = 2.00 cm ²
0.2	1" NPT				21 = 3.40 cm ²
0.3	M24	24	25, 45, + 5 + 5...	L1, 80, 110, 140, 200	16 = 2.00 cm ²
0.4	M20	20	45 + 5 + 5...	L1, 80, 110, 140, 200	13 = 1.30 cm ²
0.5	1" WW	25.4	20, 45, + 5 + 5...	L1, 80, 110, 140, 200, 250	16 = 2.00 cm ²
1.0	1-1/4" WW	32	20, 30, 45, + 5 + 5...	L1, 80, 110, 140, 200	21 = 3.40 cm ²
+	G3/4"	26.5	20, 30, 45, + 5 + 5...	L1, 80, 110, 140, 200, 250	16 = 2.00 cm ²
+					