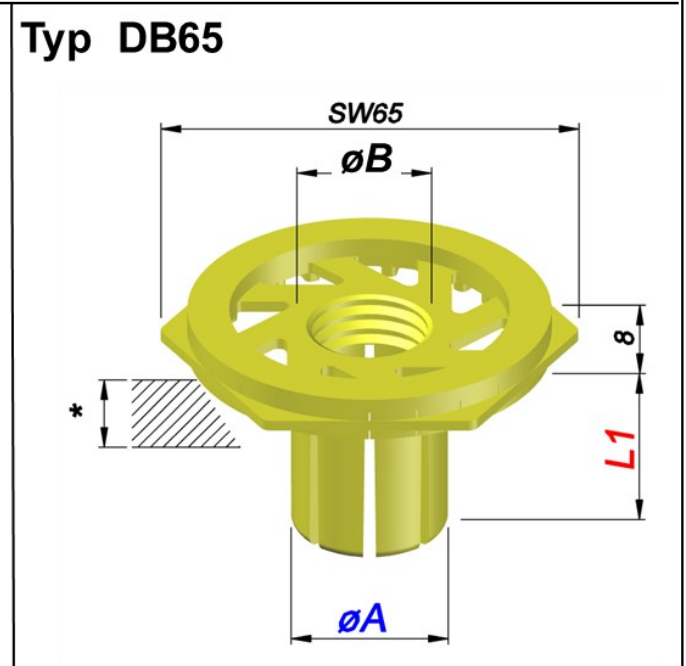
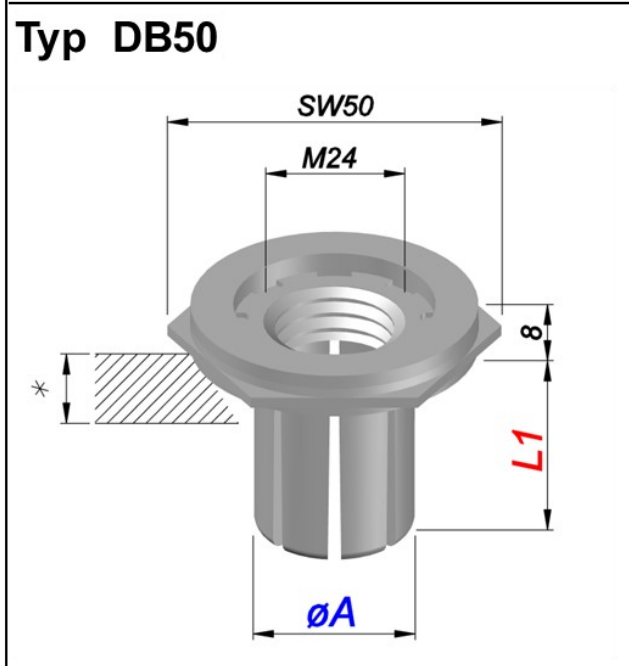
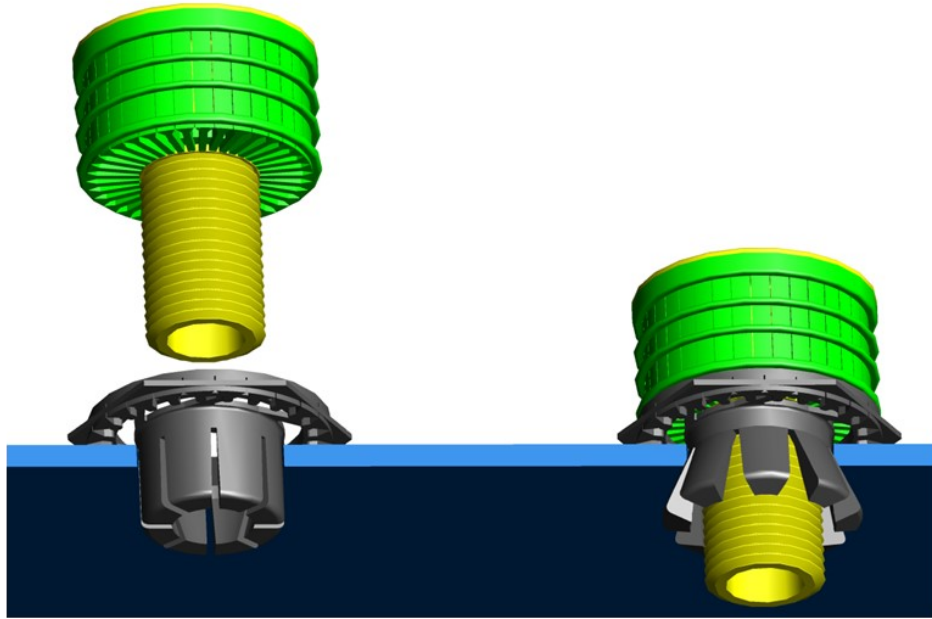


Dübel	Expanding ring (dowel)	Douilles expansives	Anillas de expansion
-------	------------------------	---------------------	----------------------



Bestellung Ordering Commande Encargo	Typ Type Type Tipa	øA	Bodenstärke plate thickness Epaisseur du plancher Espesor placa	*	L1	Bestellung Ordering Commande Encargo	Typ Type Type Tipa	øA	Bodenstärke plate thickness Epaisseur du plancher Espesor placa	*	øB	L1
✉	DB50	ø28	8 - 12 - elfenbein / ivory	36	36	✉	DB65	ø28	8 - 12 - elfenbein / ivory	M24	36	36
			12 - 17 - grau / grey						12 - 17 - grau / grey			
			17 - 22 - schwarz / black						17 - 22 - schwarz / black			
			22 - 27 - blau / blue						22 - 27 - blau / blue			
✉	DB65	ø32	8 - 12 - elfenbein / ivory	M24	30	✉	DB65	ø32	8 - 12 - elfenbein / ivory	M24	30	30
			12 - 17 - grau / grey						12 - 17 - grau / grey			
			17 - 22 - schwarz / black						17 - 22 - schwarz / black			
✉	DB65	ø38	8 - 12 - elfenbein / ivory	1 1/4"ww	30	✉	DB65	ø38	8 - 12 - elfenbein / ivory	1 1/4"ww	30	30
			12 - 17 - grau / grey						12 - 17 - grau / grey			
			17 - 22 - schwarz / black						17 - 22 - schwarz / black			